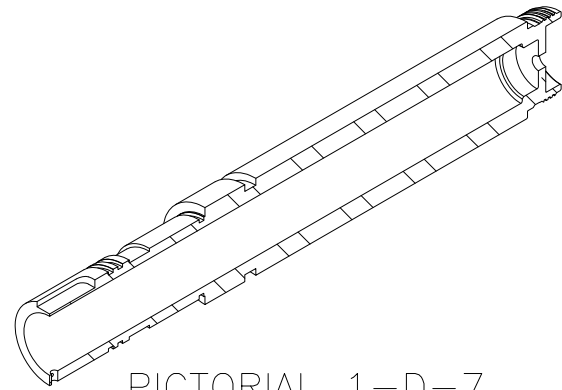


NOTES:

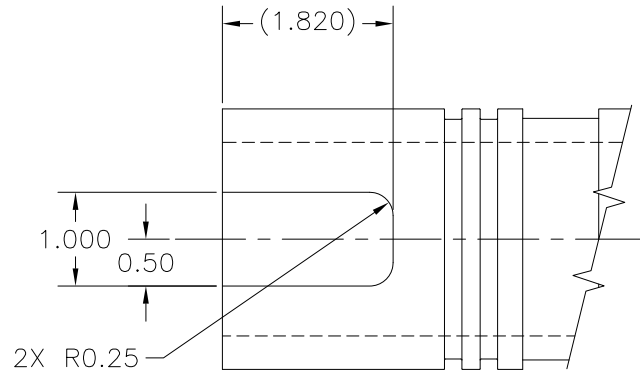
1. MATERIAL: BAR, 17-4PH/15-5PH S.S.,  $\phi 3.375 \times 20.570$  LG.
2. HEAT TREAT: COMMERCIAL HT.
3. SURFACE TREATMENT: NONE
4. WEIGHT: 26.95 LBS.

REVISIONS				
NO	DESCRIPTION	DATE	BY	APR/DATE
0	ISSUED FOR MANUFACTURE	2/21/11		



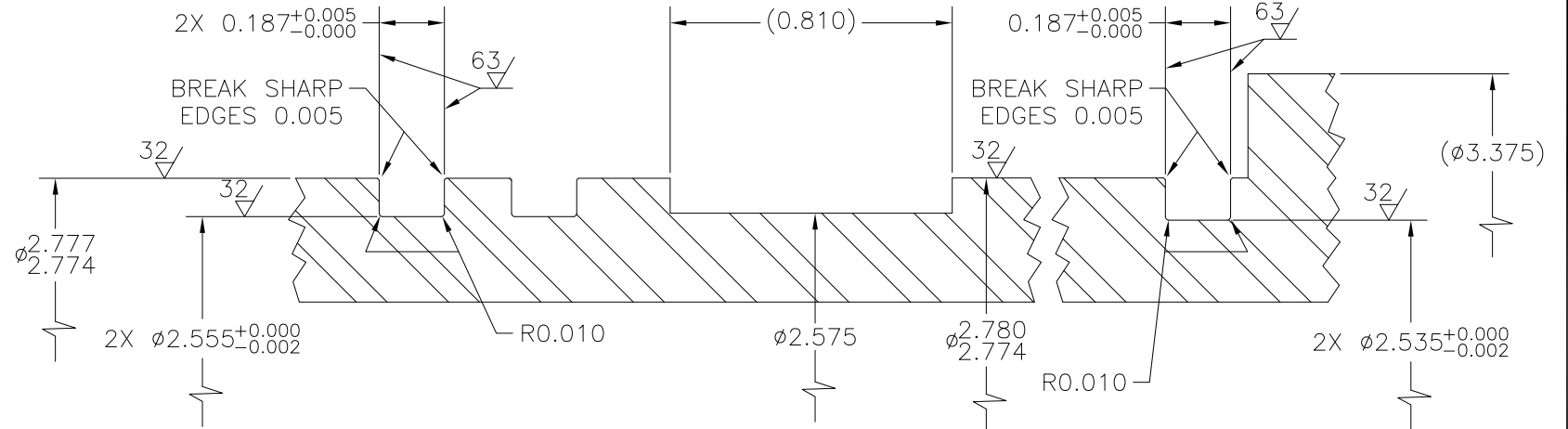
PICTORIAL 1-D-7

X/O & PRESSURE CASE  
ERS TO 31 PIN CONNECTOR  
N.T.S.



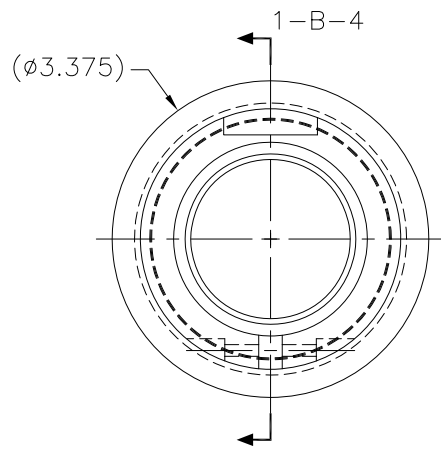
TOP VIEW 1-D-6

REF. 1-B-6



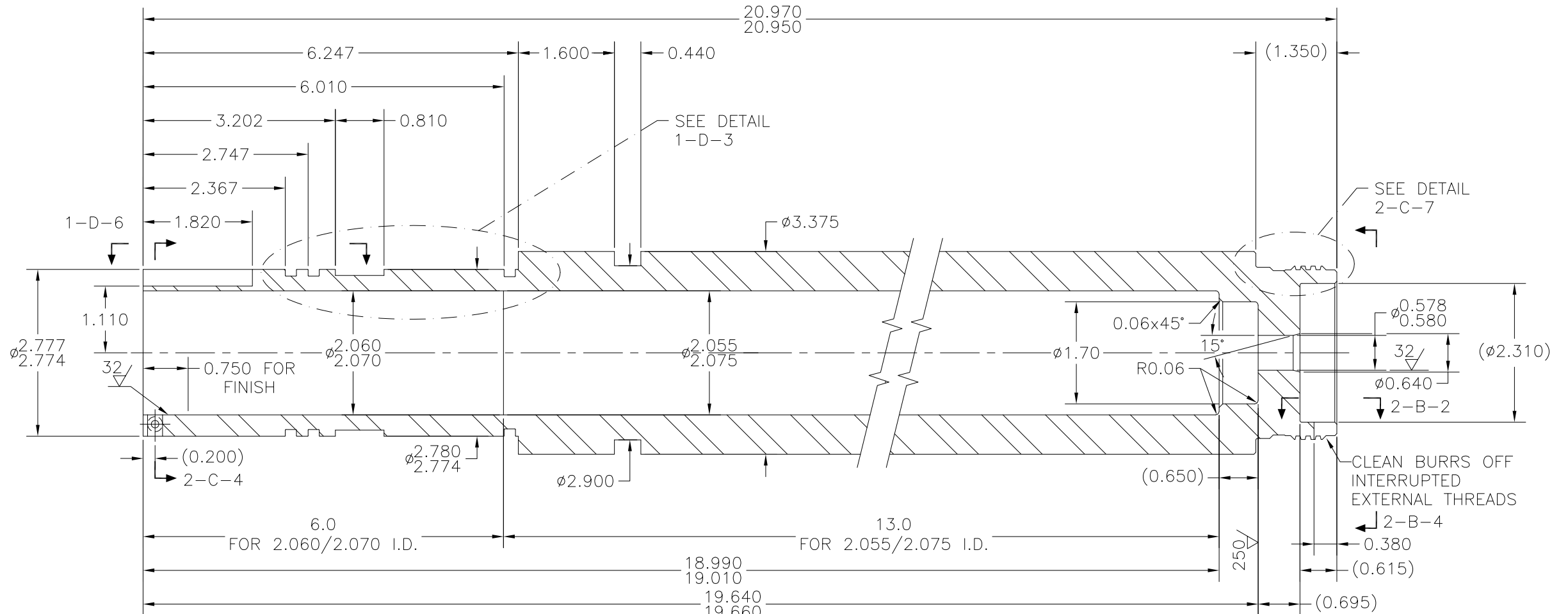
DETAIL 1-D-3

REF. 1-C-4



END VIEW 1-B-7

X/O & PRESSURE CASE  
ERS TO 31 PIN CONNECTOR



SECTION 1-B-4

REF. 1-B-7

<p>TOLERANCES: UNLESS OTHERWISE SPECIFIED 0.X ± 0.030 0.XX ± 0.010 0.XXX ± 0.005 ANGLES ± 1/2° BREAK EDGES 0.015 x 45° MIN. FINISH 125 √ [0.010] A</p>	<p>PROPRIETARY NOTICE THIS DRAWING AND THE INFORMATION IT CONTAINS ARE CONSIDERED CONFIDENTIAL, AND MAY NOT BE REPRODUCED, COPIED OR USED, IN PART OR IN WHOLE, WITHOUT PRIOR WRITTEN CONSENT.</p>	<p>Integrated Ocean Drilling Program TEXAS A&amp;M UNIVERSITY 1000 DISCOVERY DRIVE COLLEGE STATION, TX 77845</p>	
		<p>SHEET 1 OF 2</p>	<p>TITLE X/O &amp; PRESSURE CASE, ERS TO 31 PIN CONNECTOR</p>
<p>SCALE FULL</p>	<p>SYSTEM ERS v.2</p>	<p>ASSEMBLY 3 ERS</p>	<p>SIZE P/N ERS-026</p>
<p>BY MM</p>	<p>DATE 2/21/11</p>	<p>APPROVED DH</p>	<p>CHECKED DH</p>